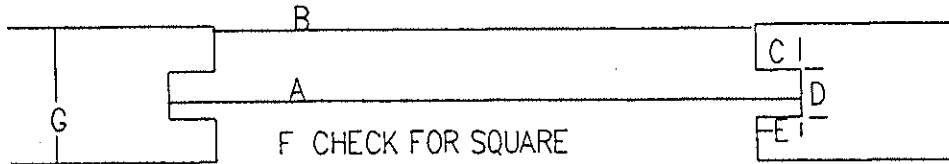


FIRST STREET WELDING
 473 E. FIRST STREET
 IDAHO FALLS IDAHO 83401
 PH. 1 208 522 2588 FAX. 1 208 522 6570
 1 800 693 2588

NUMBER OF SCREENS NEED _____
 SCREEN SIZE
 2 X 4 _____
 4 X 4 _____
 MOTOR PHASE
 SINGLE PH. OR 3 PH. _____
 TYPE OF MOUNTING
 STANDARD SLIDE _____
 SPECIAL SLIDE _____
 HANG ON WALL _____

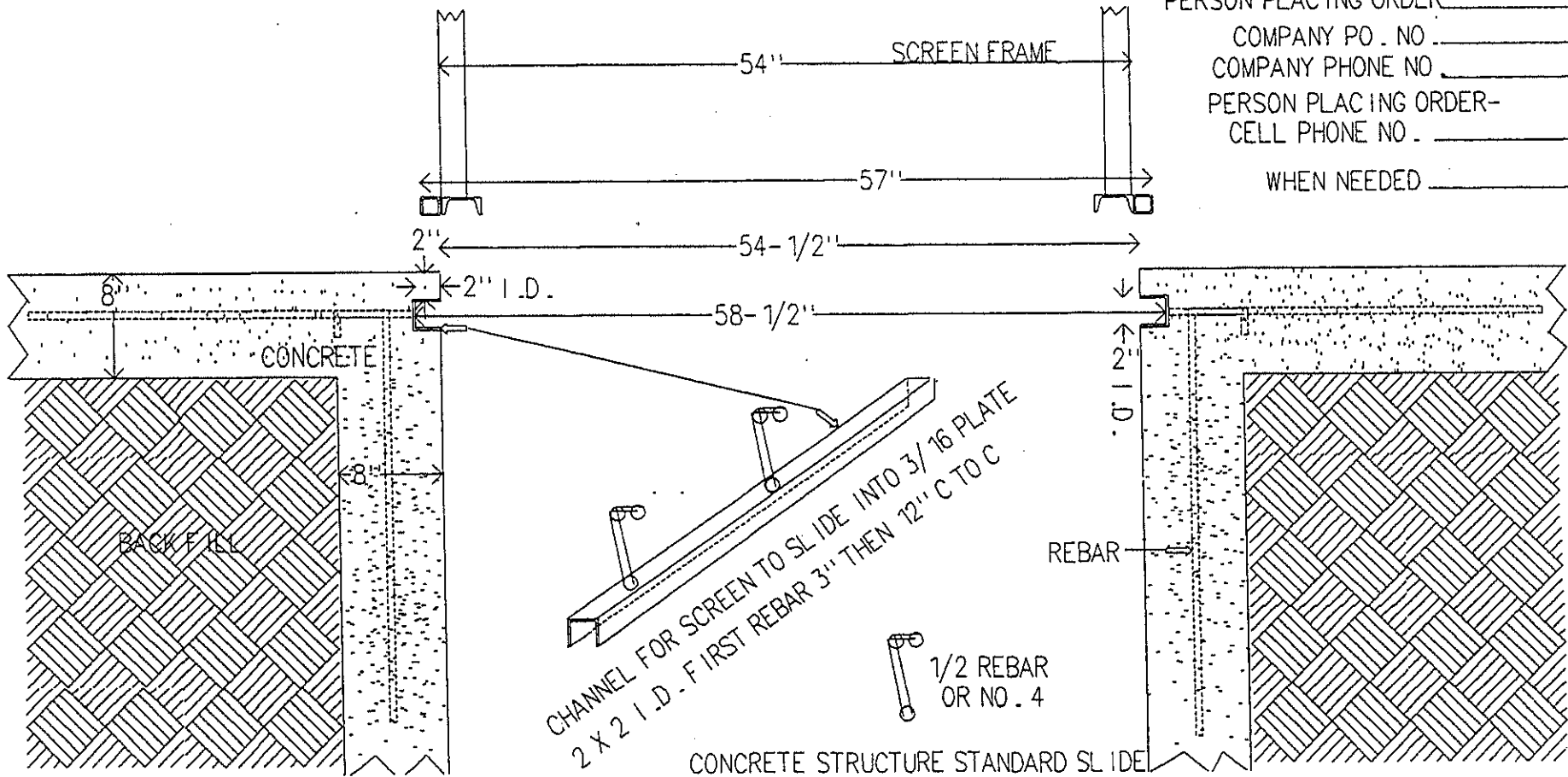
USE THIS DRAWING FOR -
 EXISTING STRUCTURES

- A _____
- B _____
- C _____
- D _____
- E _____
- F _____
- G _____
- H _____

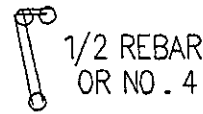


F CHECK FOR SQUARE
 H CHECK SLOTS TOP & BOTTOM

COMPANY PLACING ORDER _____
 PERSON PLACING ORDER _____
 COMPANY PO. NO. _____
 COMPANY PHONE NO. _____
 PERSON PLACING ORDER-
 CELL PHONE NO. _____
 WHEN NEEDED _____



CHANNEL FOR SCREEN TO SLIDE INTO 3/16 PLATE
 2 X 2 I.D. - FIRST REBAR 3" THEN 12" C TO C



CONCRETE STRUCTURE STANDARD SLIDE